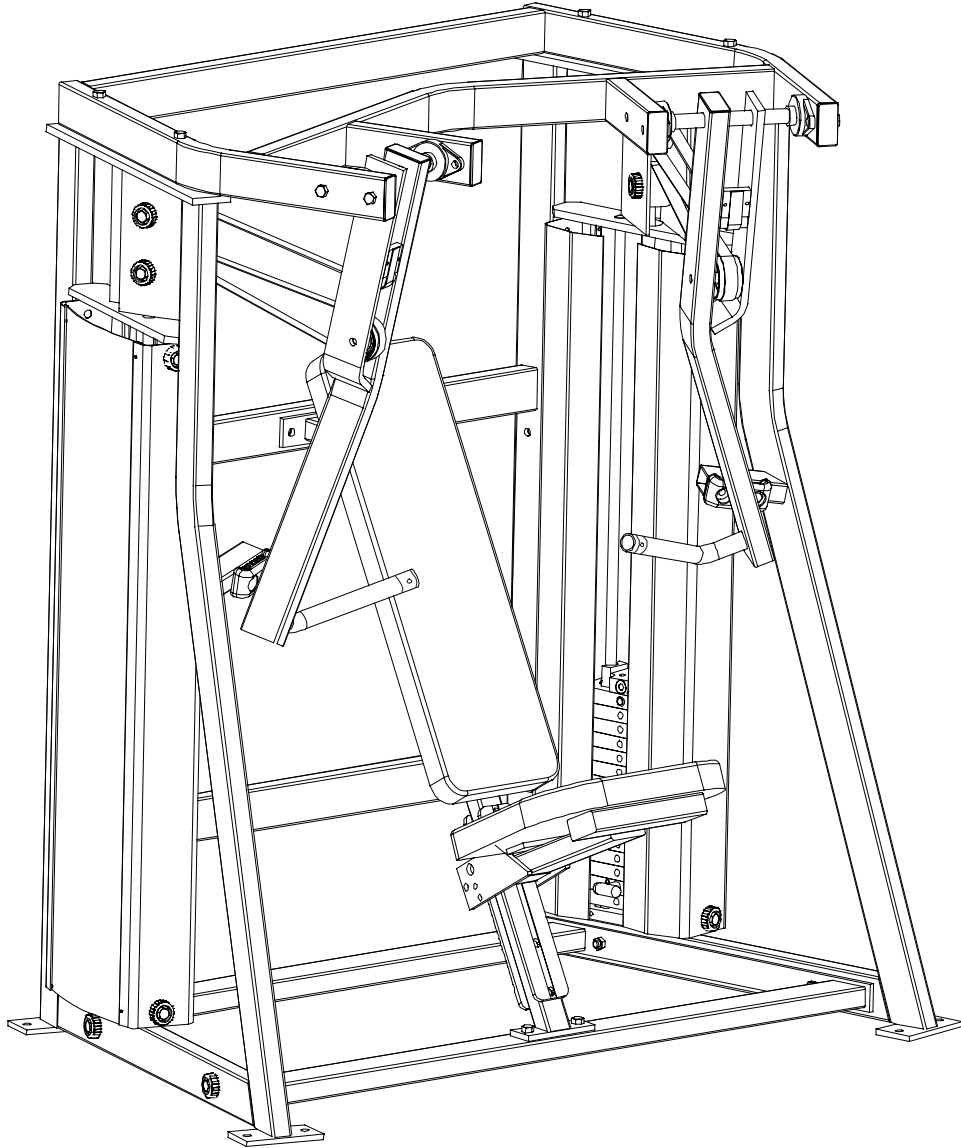


LifeFitness

**MTS - MOTION TECHNOLOGY SELECTORIZED
MTDP DECLINE PRESS**



**Customer Support Services
PARTS MANUAL**

MTDP DECLINE PRESS

Notes:

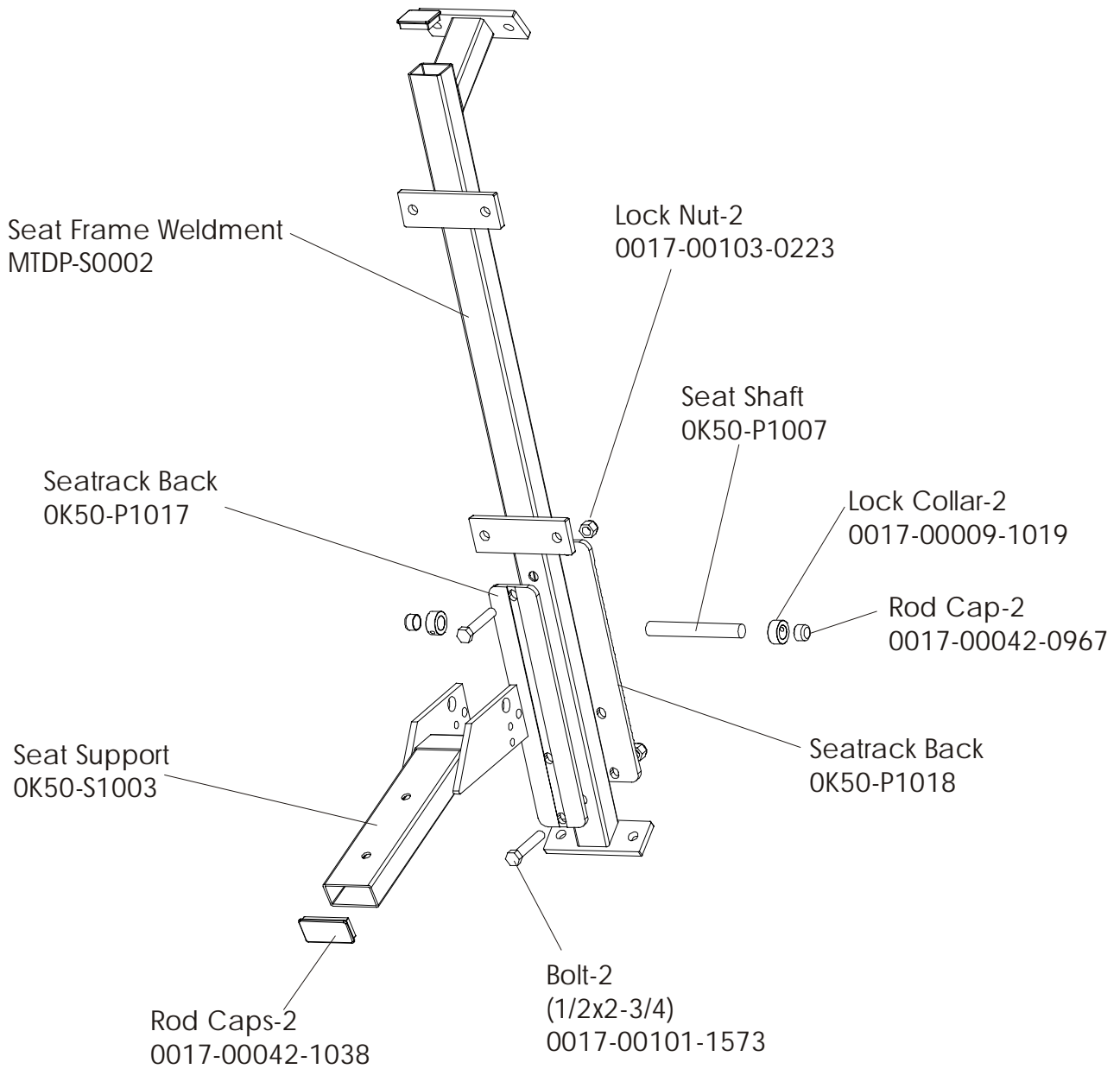
MTDP DECLINE PRESS

Contents

	PAGE
SEAT FRAME	4
LEFT MOVEMENT ARM.....	5
RIGHT MOVEMENT ARM.....	6
LEFT SIDE FRAME	7
RIGHT SIDE FRAME	8
TOP FRAME ASSEMBLY.....	9
PADS.....	10
SEAT FRAME ASSEMBLY.....	11
SEAT ROLLER ASSEMBLY.....	12
INCREMENT WEIGHT	13
WEIGHT STACK.....	14

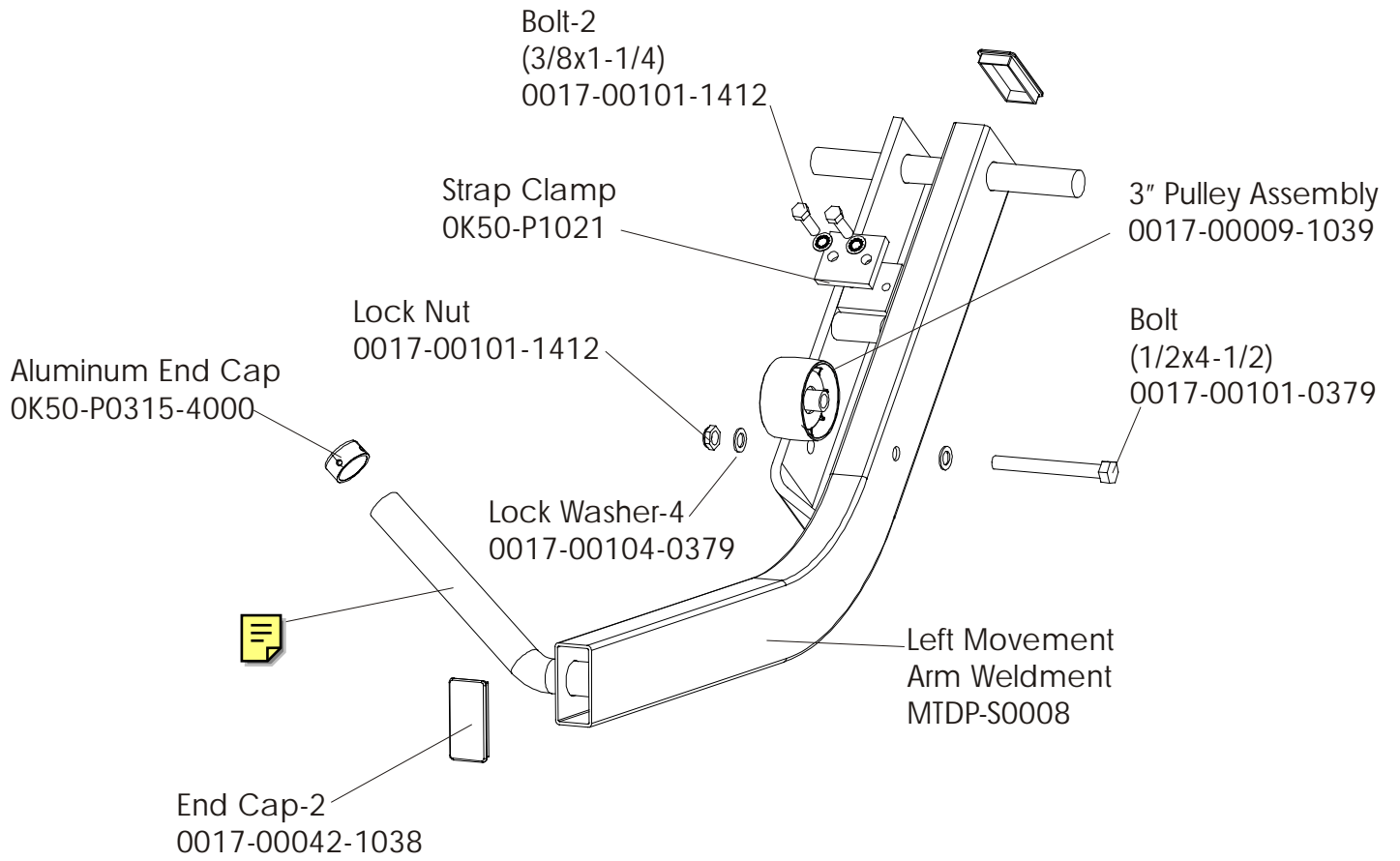
MTDP DECLINE PRESS

SEAT FRAME



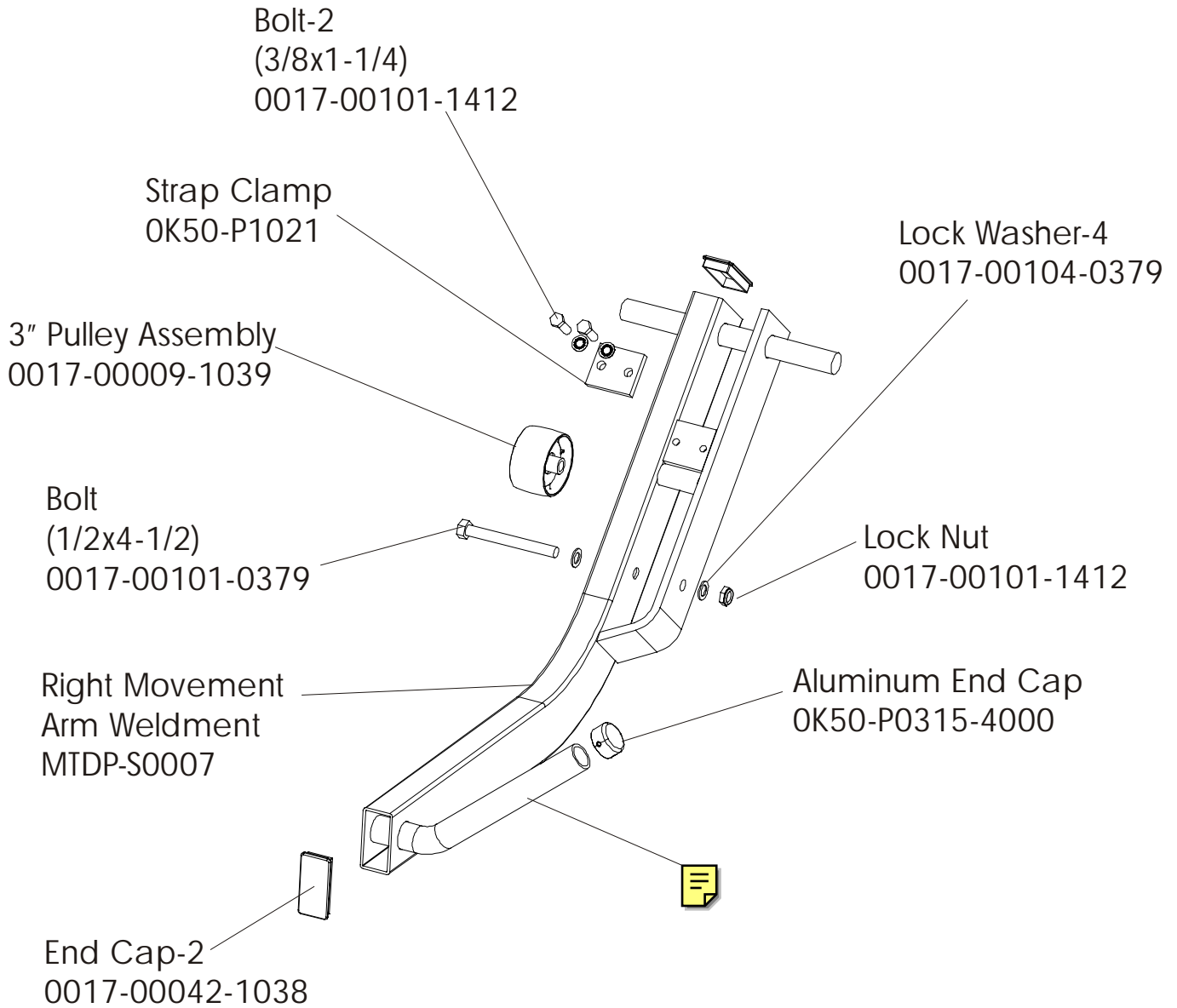
MTDP DECLINE PRESS

LEFT MOVEMENT ARM



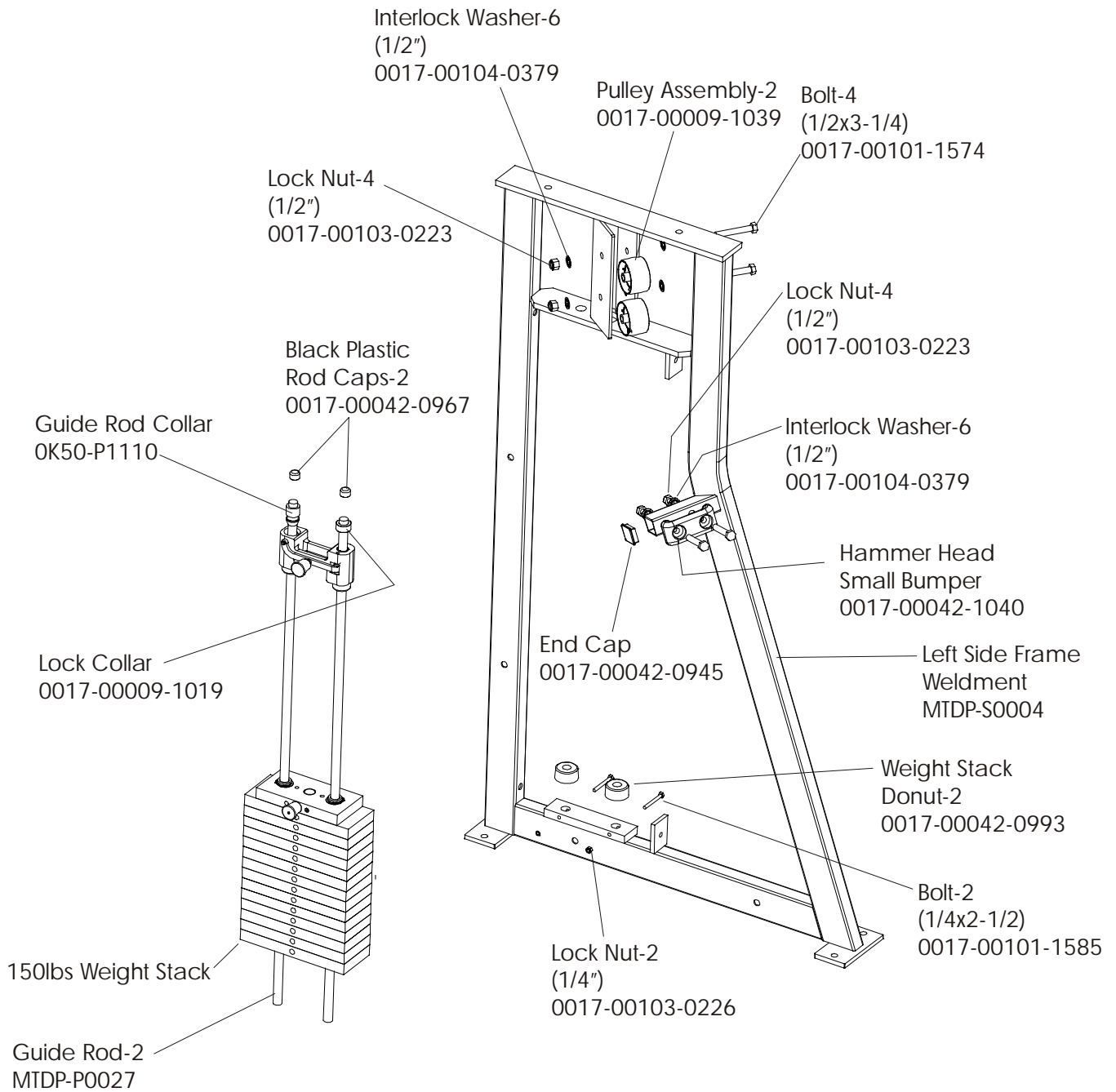
MTDP DECLINE PRESS

RIGHT MOVEMENT ARM



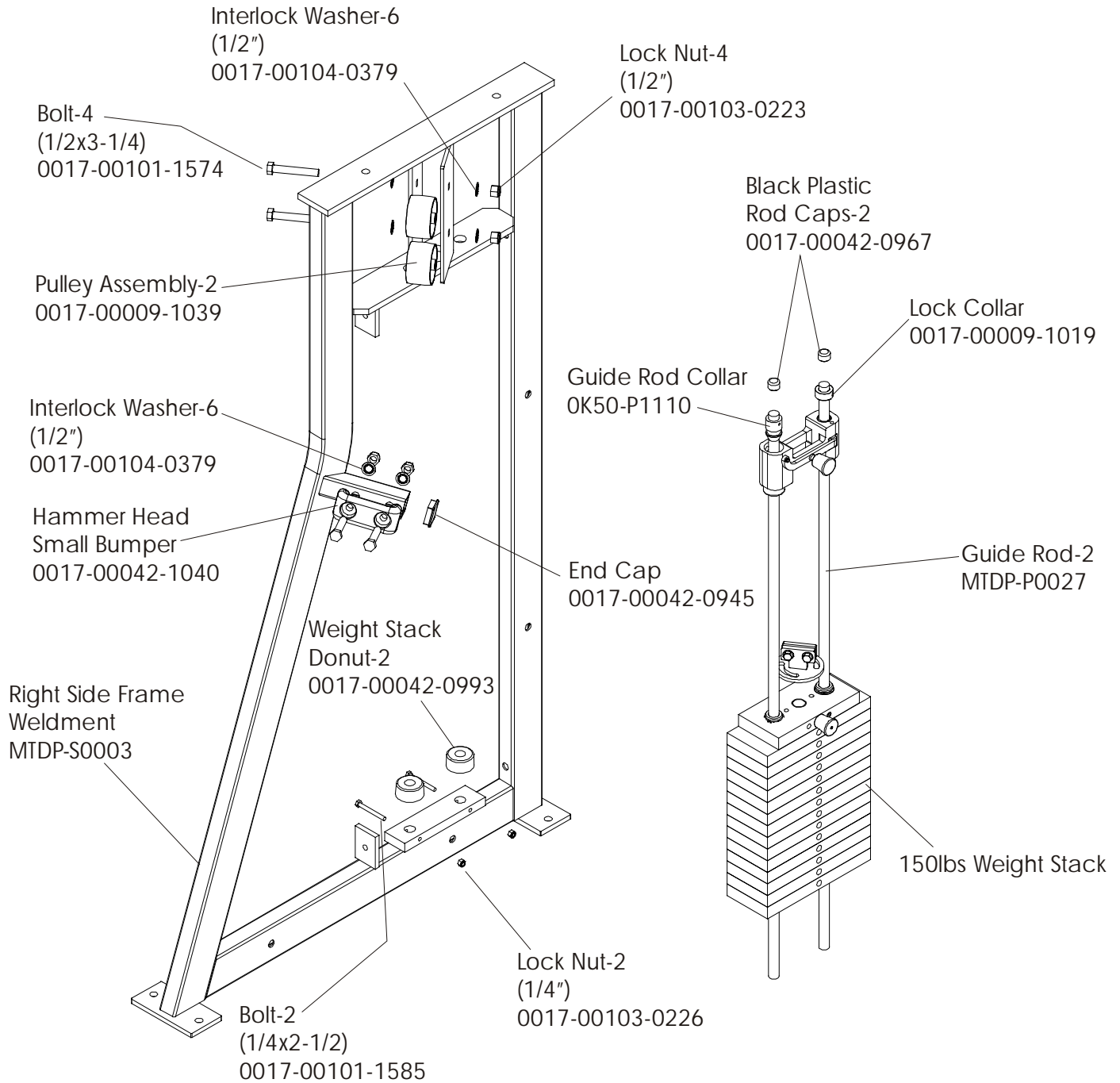
MTDP DECLINE PRESS

LEFT SIDE FRAME



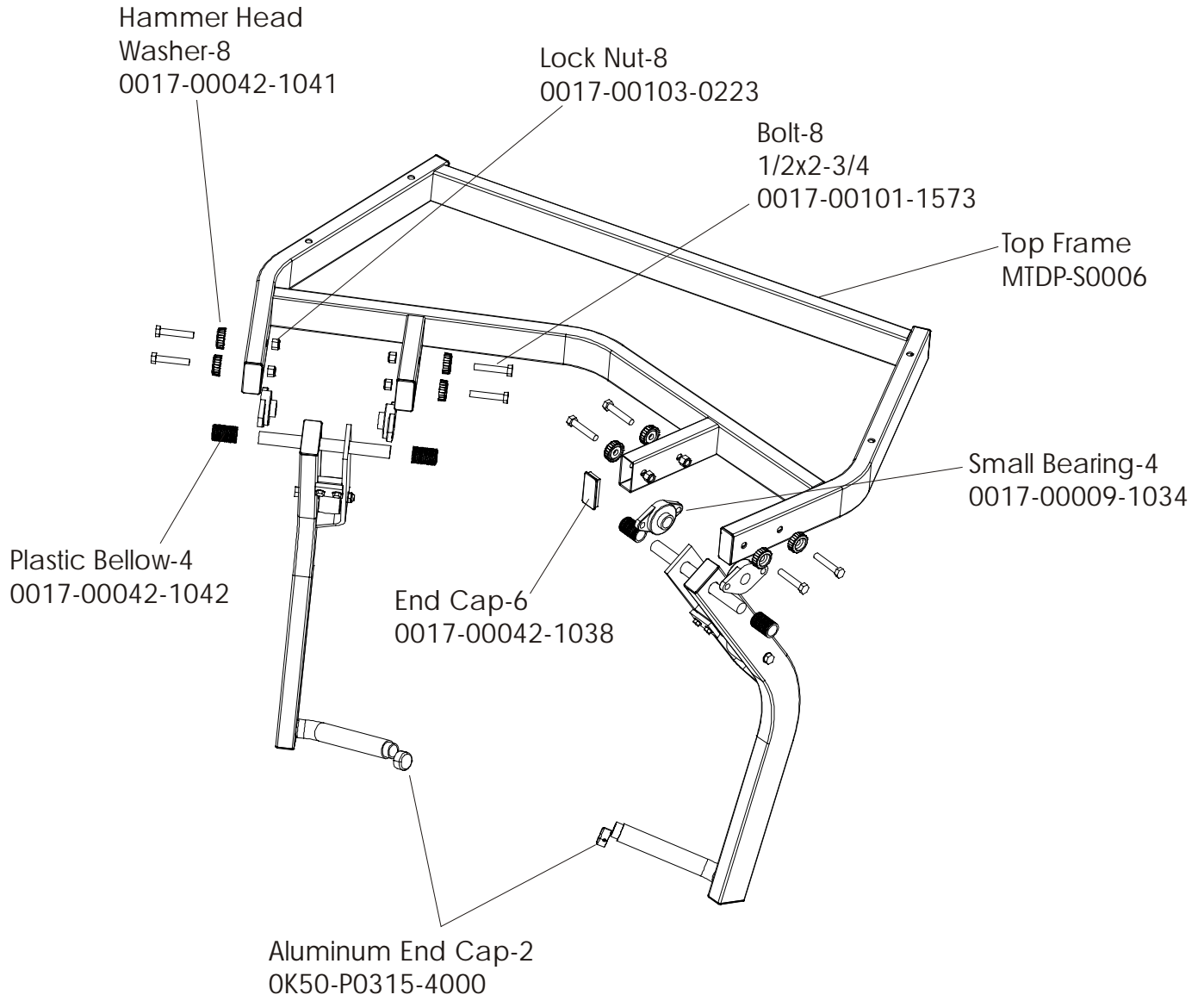
MTDP DECLINE PRESS

RIGHT SIDE FRAME



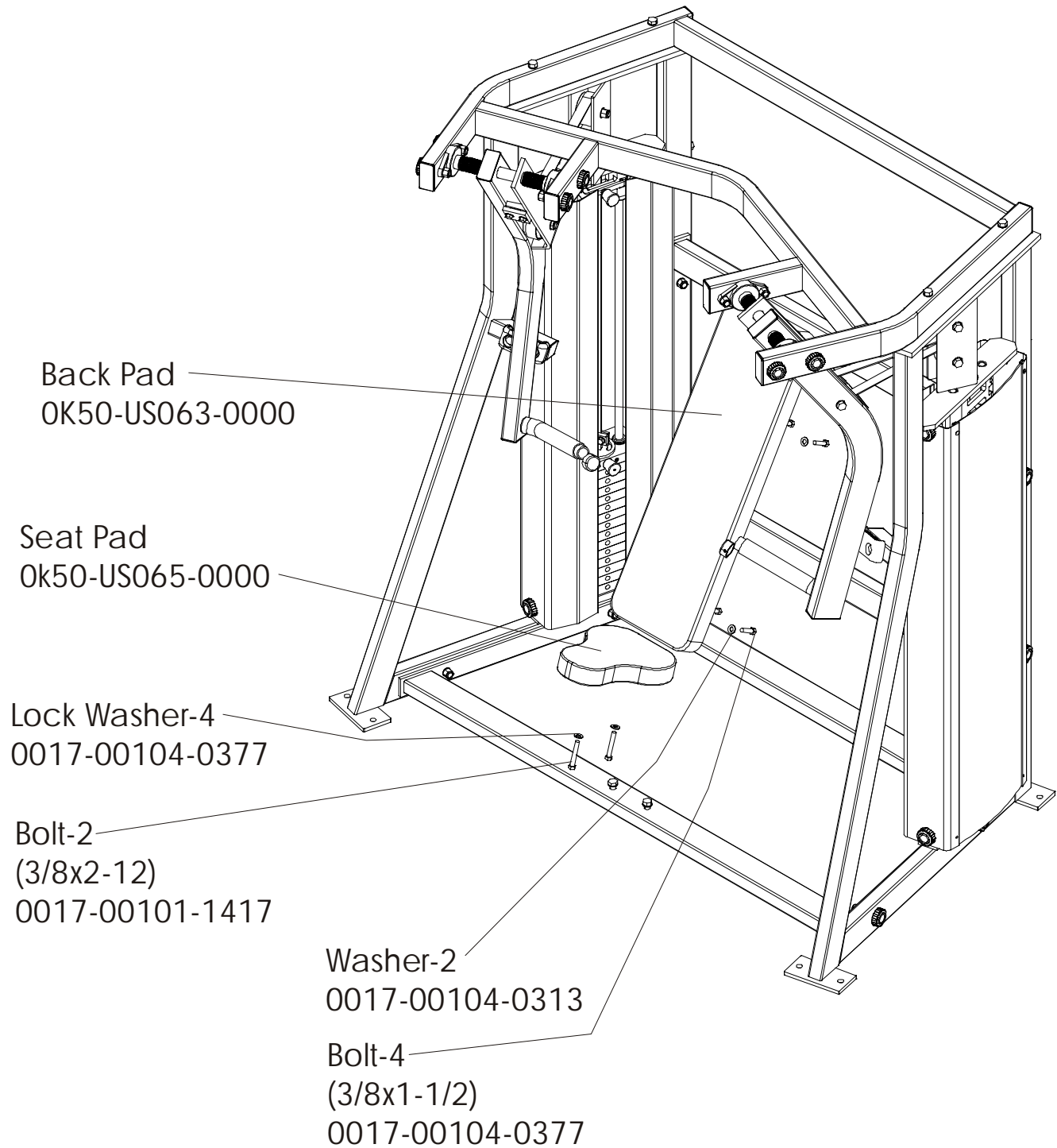
MTDP DECLINE PRESS

TOP FRAME ASSEMBLY



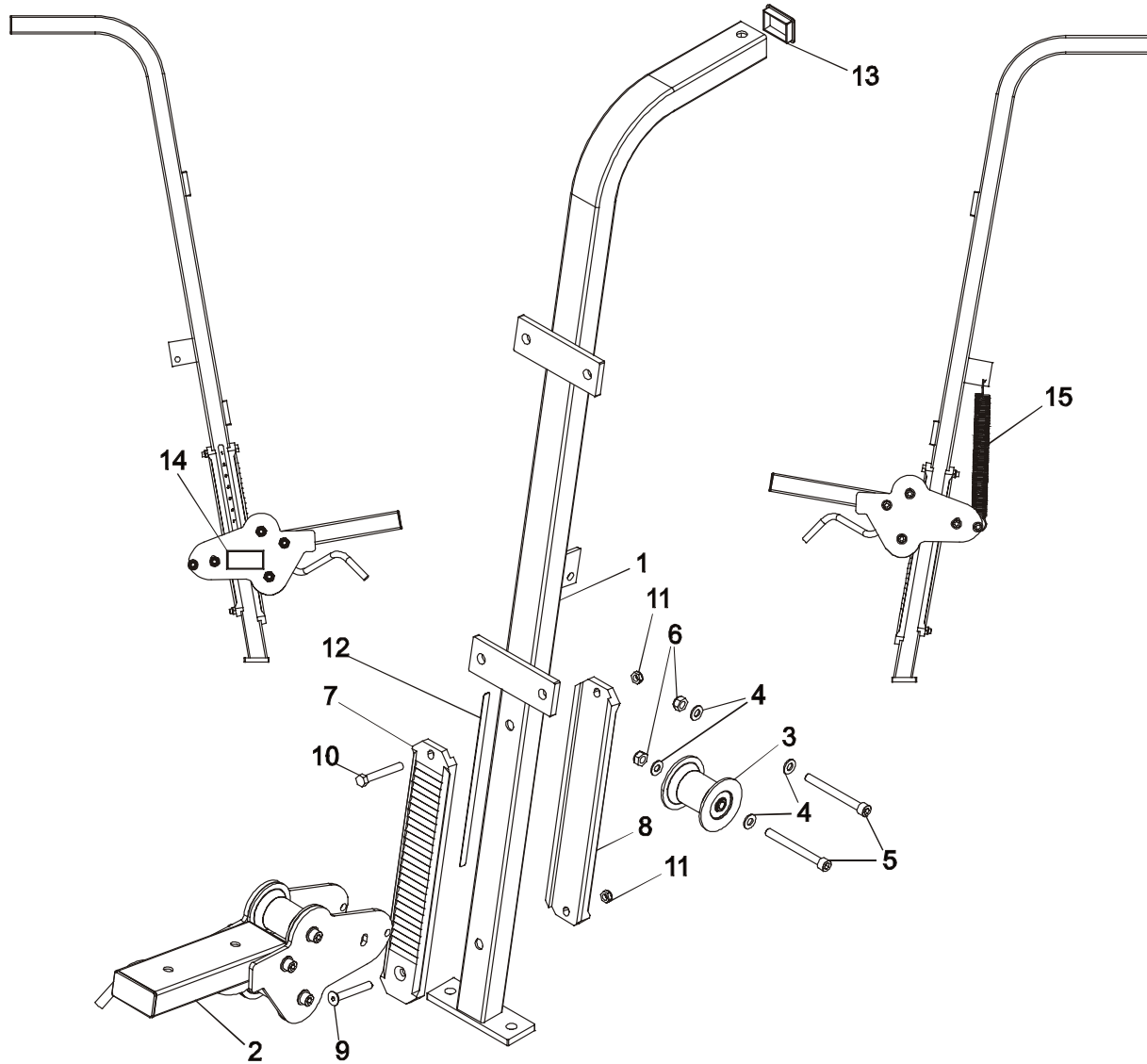
MTDP DECLINE PRESS

PADS



MTDP DECLINE PRESS

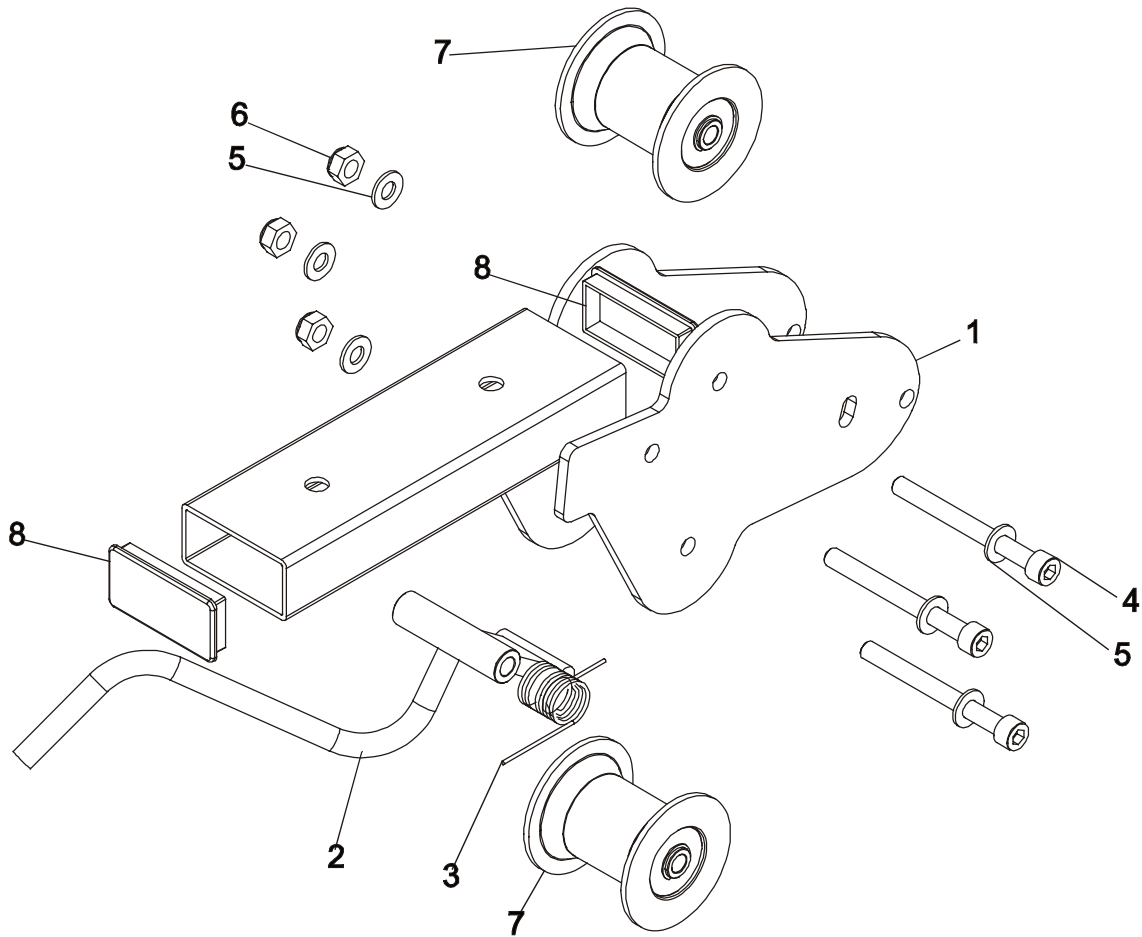
SEAT FRAME ASSEMBLY



ITEM NO.	QTY.	PART NO.	DESCRIPTION
1	1	MTIP-S0012	BACK FRAME WELDMNT, SEAT
2	1	AK50-A1006	MTS SEAT #1 ASSM. (ROLLER)
3	1	73763	ROLLER ASSM.
4	4	0017-00104-0377	3/8" Internal Lock Washer
5	2	0017-00101-1662	M10 X 64 HXS SOC CS ST ZN
6	2	0017-00103-0289	10mm THIN NYLOC NUT
7	1	7359401	Seatrack, Roller Serrated
8	1	7359501	Seatrack, Roller Flat
9	1	0017-00101-1664	3/8" FLAT HEAD BOLT
10	1	0017-00101-1408	3/8 X 2 3/4 Bolt
11	2	0017-00103-0217	3/8" Thin Lock Nut
12	1	M051-00296-A000	NUMBER STRIP (1-12)
13	1	0017-00042-0945	1 1/2 X 2 Endcap
14	1	M051-00602-A000	MTAB SEAT INSTR. DECAL
15	1	7442601	MTS SEAT EXTENSION SPRING

MTDP DECLINE PRESS

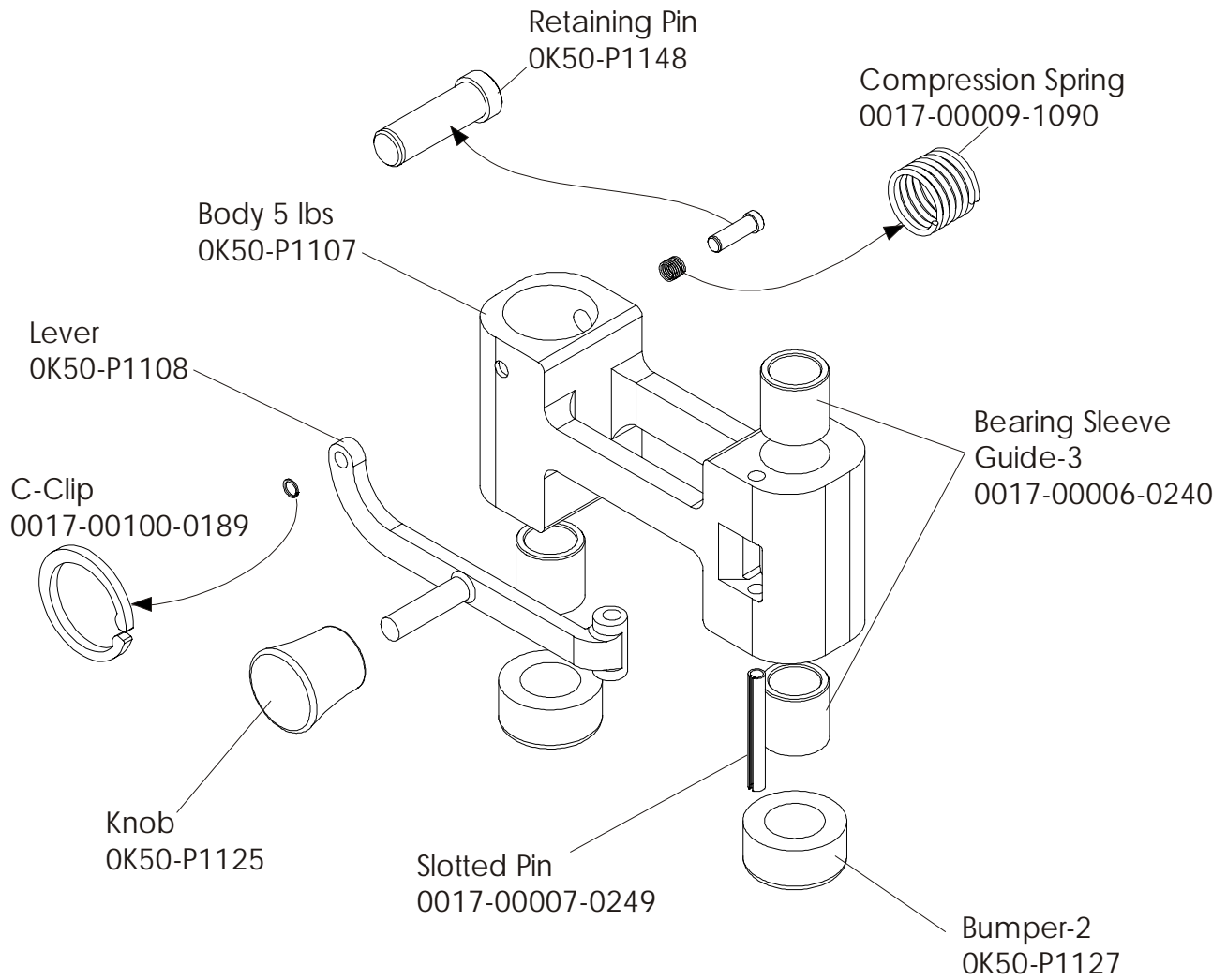
SEAT ROLLER ASSEMBLY



ITEM NO.	QTY.	PART NO.	DESCRIPTION
1	1	0K50-S1007	MTS SEAT #2 (ROLLER)
2	1	AK50-S0041-0000	WELDMENT, PS- ROLLER SEAT HANDLE
3	1	0017-00009-1110	TORSION SPRING, S.S.
4	3	0017-00101-1662	M10 X 64 HXS SOC CS ST ZN
5	6	0017-00104-0377	3/8" Internal Lock Washer
6	3	0017-00103-0289	10mm THIN NYLOC NUT
7	2	73763	ROLLER ASSM.
8	2	0017-00042-1038	1.5" X 3.0" PLASTIC END CAP

MTDP DECLINE PRESS

INCREMENT WEIGHT



MTDP DECLINE PRESS

WEIGHT STACK

